

NO.: G061B





1.




2.

3.

4.




<ul style="list-style-type: none"><li>■</li><li>■</li><li>■</li></ul>

5.

1.	.....	- 1 -
2.	.....	- 2 -
3.	.....	- 4 -
4.	.....	- 7 -
5.	.....	- 11 -
6.	.....	- 12 -
7.	.....	- 16 -
8.	.....	- 17 -
9.	.....	- 21 -
10.	.....	- 22 -
11.	.....	- 25 -

1.

1.1

Model	DE2500 DE2500E	DE3500 DE3500E	DE6500 DE6500E	DE6500T DE6500TE	DE7500 DE7500E
( )	50	50	50	50	50
(cosφ)	1	1	1	0.8	1
(AC) (V)	230	230	230	400/230	230
( )	2.0	2.8	4.8	4.8	5.2
( )	2.2	3.0	5.3	5.3	5.5
	(AVR)				
	12V/8.3A				
	170FA	178F	186FA	186FA	188F ( E )
	, 4-				
x ( )	70x57	78x62	86x72	82x72	88x75
( 3 )	219	296	418	418	456
	20:1	20:1	19:1	19:1	19:1
( / / )	2.8/3000	3.7/3000	5.7/3000	5.7/3000	6.6/3000
	0# ( ) - 10# ( )				
( )	12.5	12.5	12.5	12.5	12.5
( )	0.75	1.1	1.65	1.65	1.65
( )	50/55	64/69	93/98	95/100	100/105
( x x ) ( )	610x450x50	680x455x55	720x480x60	720x480x60	720x480x60
	0	0	0	0	0

2.  
2.1



2.2






---

### 3.


---

#### 3.1




<ul style="list-style-type: none"><li>■</li><li>■</li><li>■</li><li>■</li></ul>

#### 3.2


<ul style="list-style-type: none"><li>■</li><li>■</li></ul>



API CC/CD,

### 3.3

1.



2.



### 3.4

1.



( , . . ),

### 3.5

20 ,

5 ,

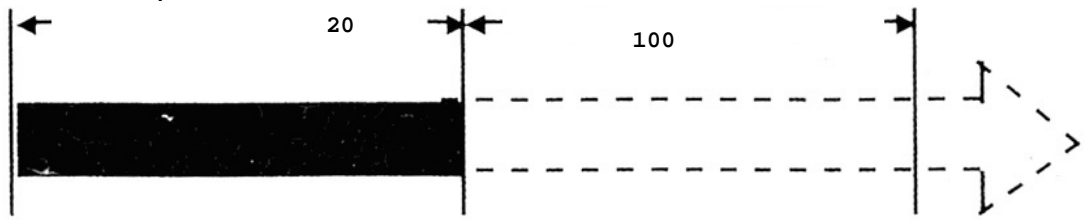
■

3000 /

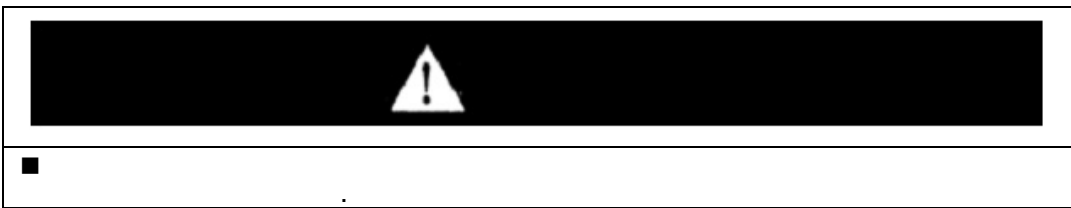
50%.

■

20

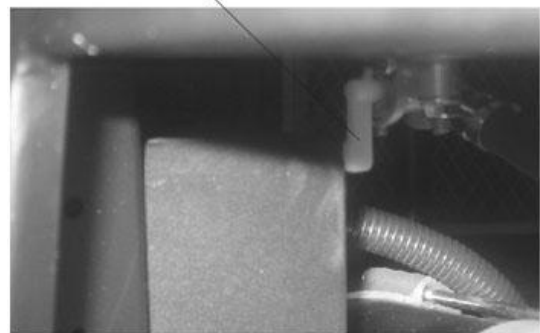


4.



4.1

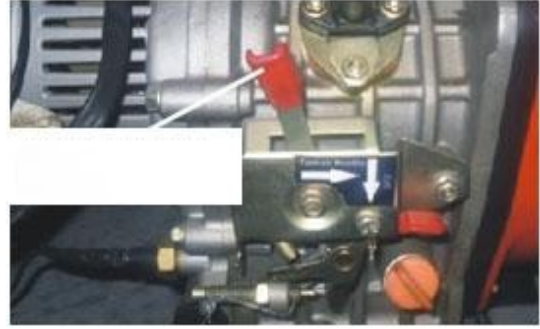
1.



ON/

2.

"Run/".

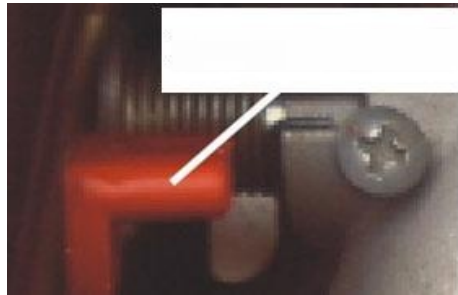



3.

■

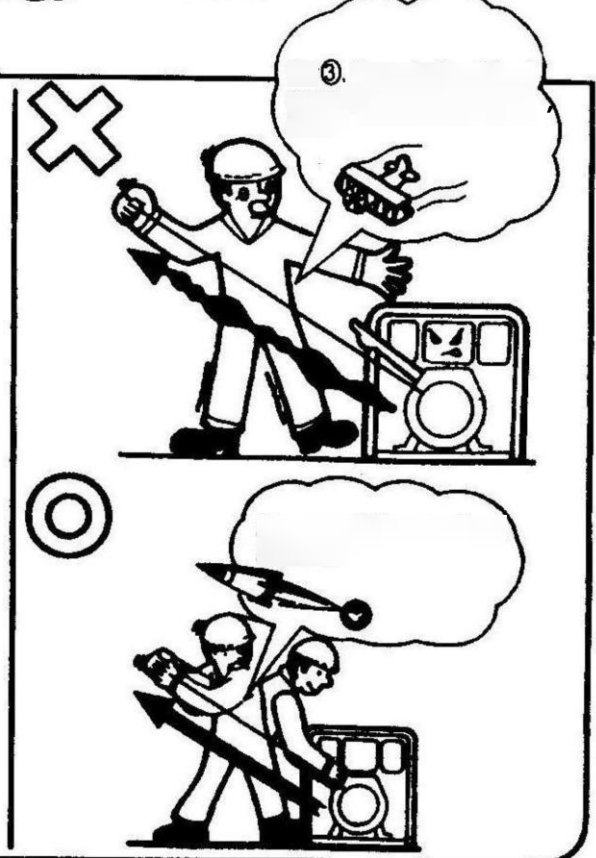
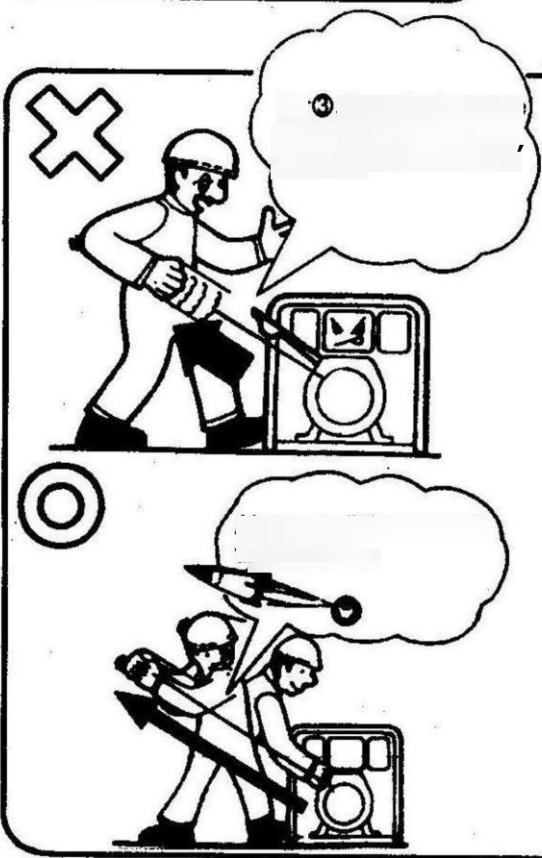
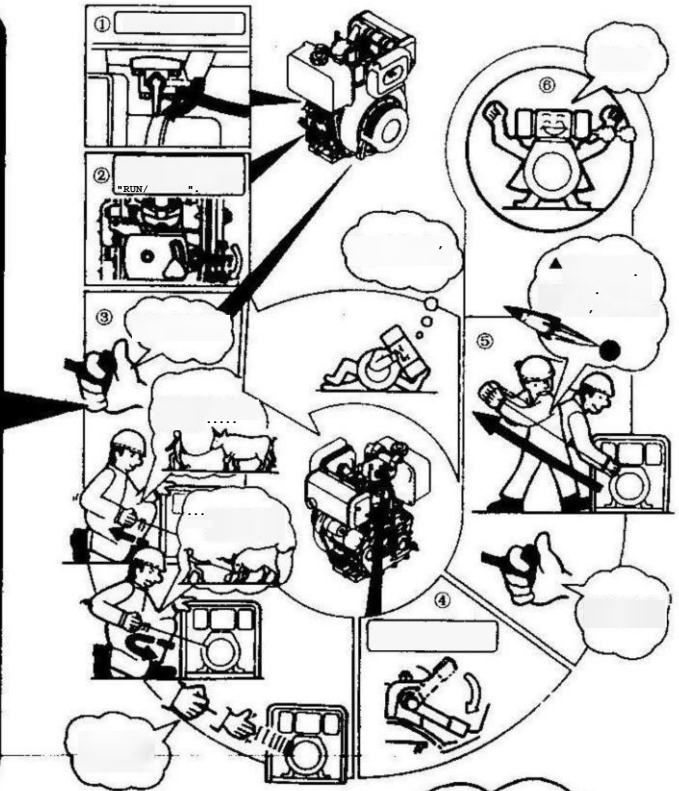
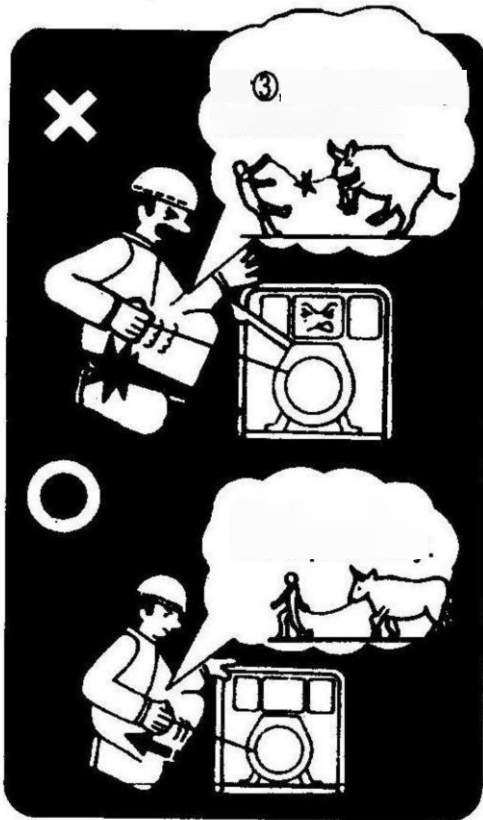
■

■



	
■	
■	2 3

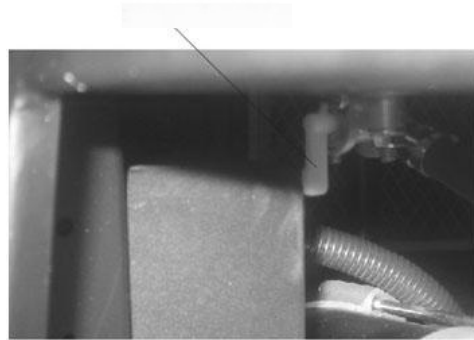
	
■	



4.2

1. ( , )

- 



ON/

- 

"Run/".



- 

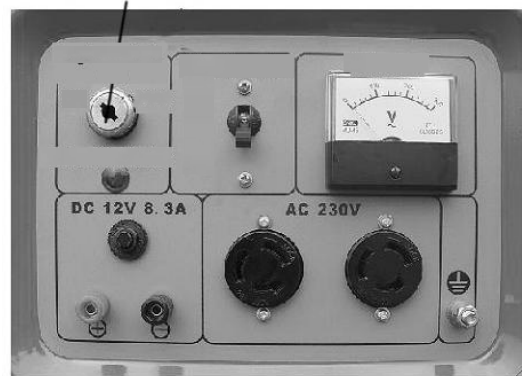
"Start/".

- 

- 

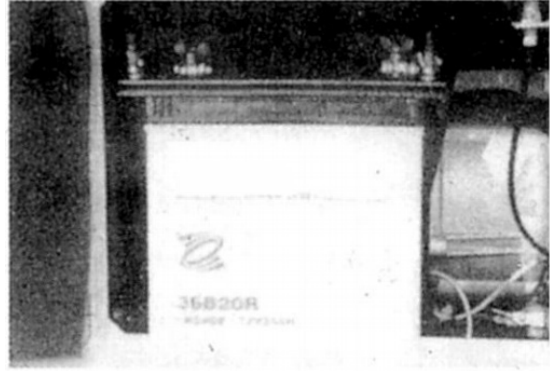
10


15



■	,
■	"ON/".

2.




■

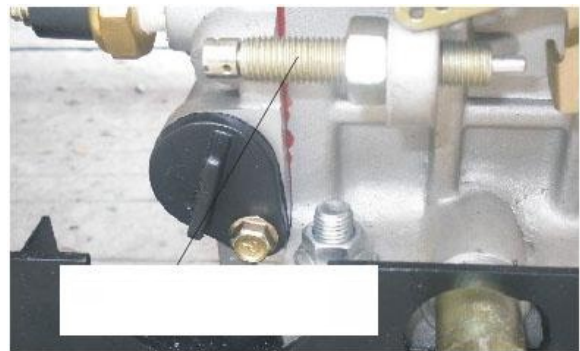
---

5.

5.1


1.

3




2.




<ul style="list-style-type: none"><li>■</li><li>■</li></ul>


**5.2**

- 1.
- 2.
3. ( ).


<ul style="list-style-type: none"><li>■</li><li>■</li></ul>

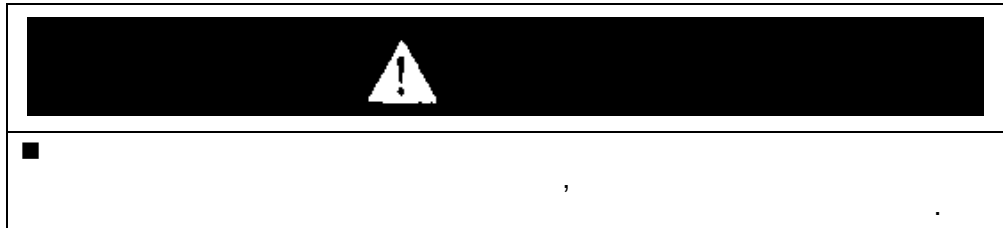
---

**6.**


<ul style="list-style-type: none"><li>■</li><li>■</li></ul>

6.1

1. , (AVR)
2. AVR , 230  
(50 ) 400  
(50 ) ,
3. , , ,
4. :  
■ 20%,  
■ ,  
■ A, B, C, D (U, V, W N) :



6.2


1.

12 .

2.

12 ;


3.



- 
- 
- 
- 
- 
- 

8 ). - (




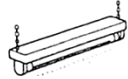

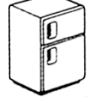
12



- 
- 
- 

45°C,

6.3

	( )					
● ●	X1	X1		 100	100 A ( )	100 A ( )
●	X2	X1.5		 40	80 A ( )	60 A ( )
●	X3~5	X2		 150	450-750 A ( )	300 A

7.

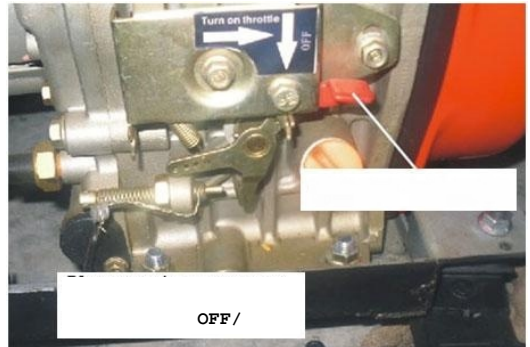
1.

2.

3.

"Run/ ",

3



- 
- 

OFF/

OFF ( ).

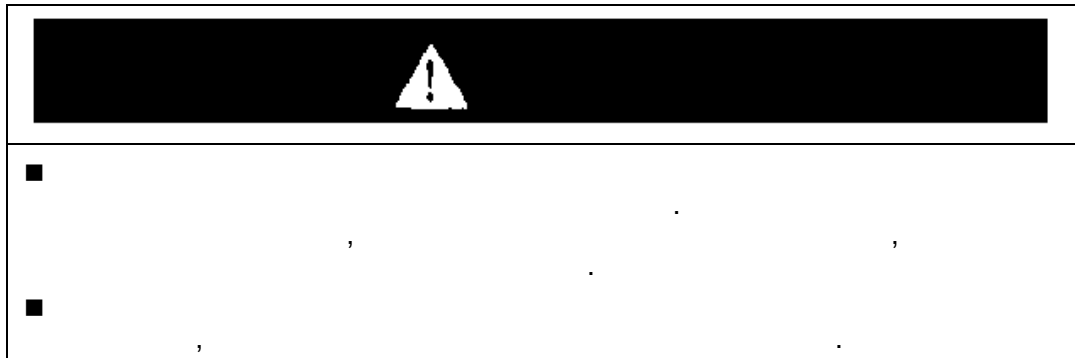
- 
- 

"S".

( ).

■	"Stop/ ",
■	HP, "OFF/ ' "
■	

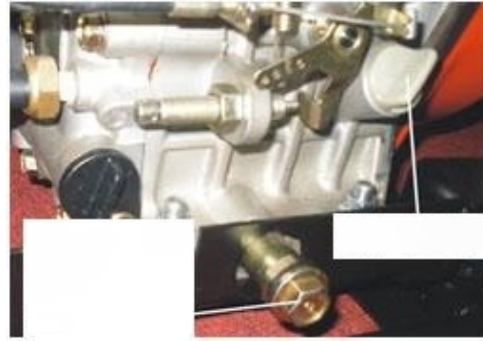
8.



		20	100	500	1000
	○				
		○			
	○				
	○				
	○			●	
		○ ( )	○ ( )		
				○ ( )	
	(			○ ( )	
				○	● ( )
				●	
				●	
				● ( )	
/		● ( )		●	
/					●
					●
				●	
	10				

:"●"

8.1



8.2

	500



8.3

	500
--	-----



■

8.4

	500
	1000

1.

2.

3.



OFF


8.5

8.6

1.

2.

3.



■



8.7

12



	
■	
■	

8.8

---

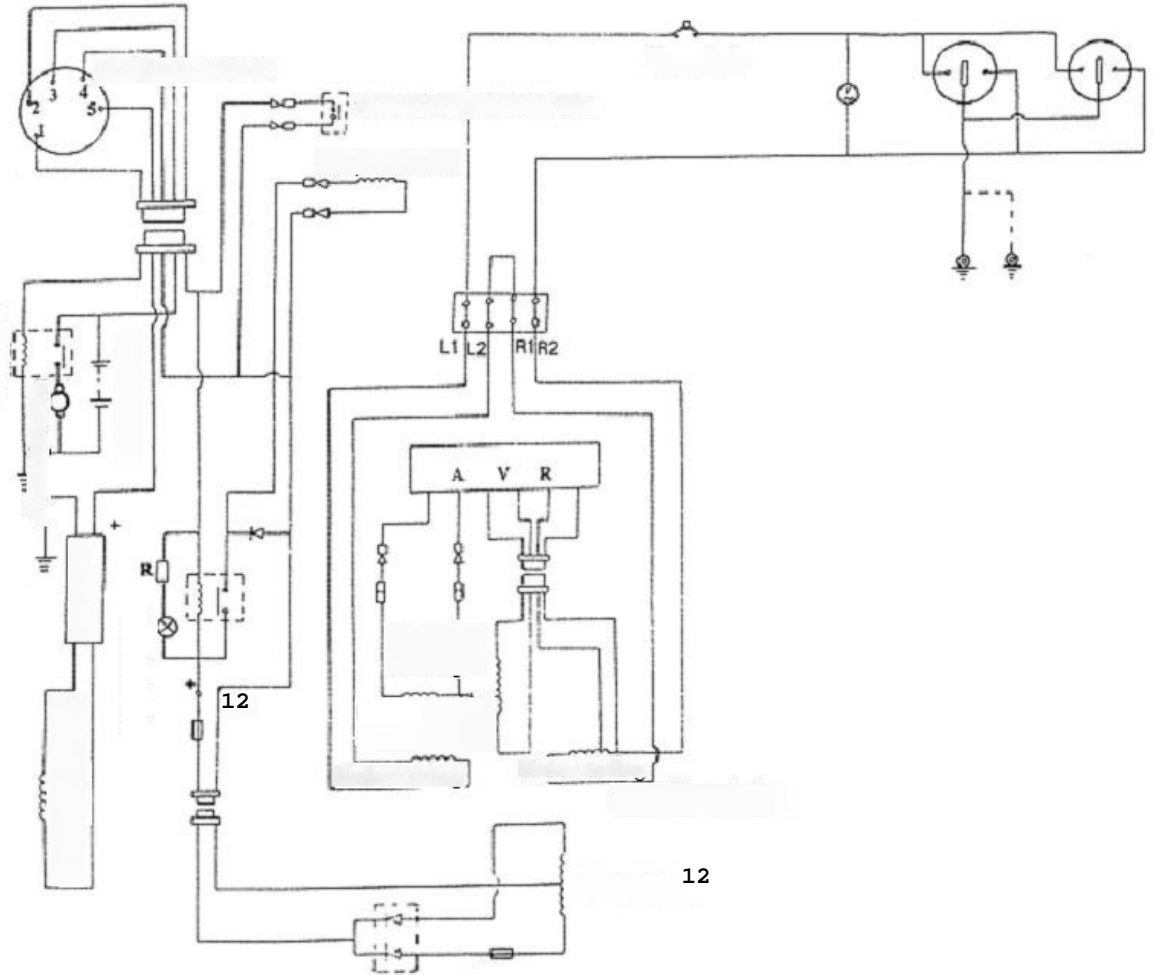
**9.**

---

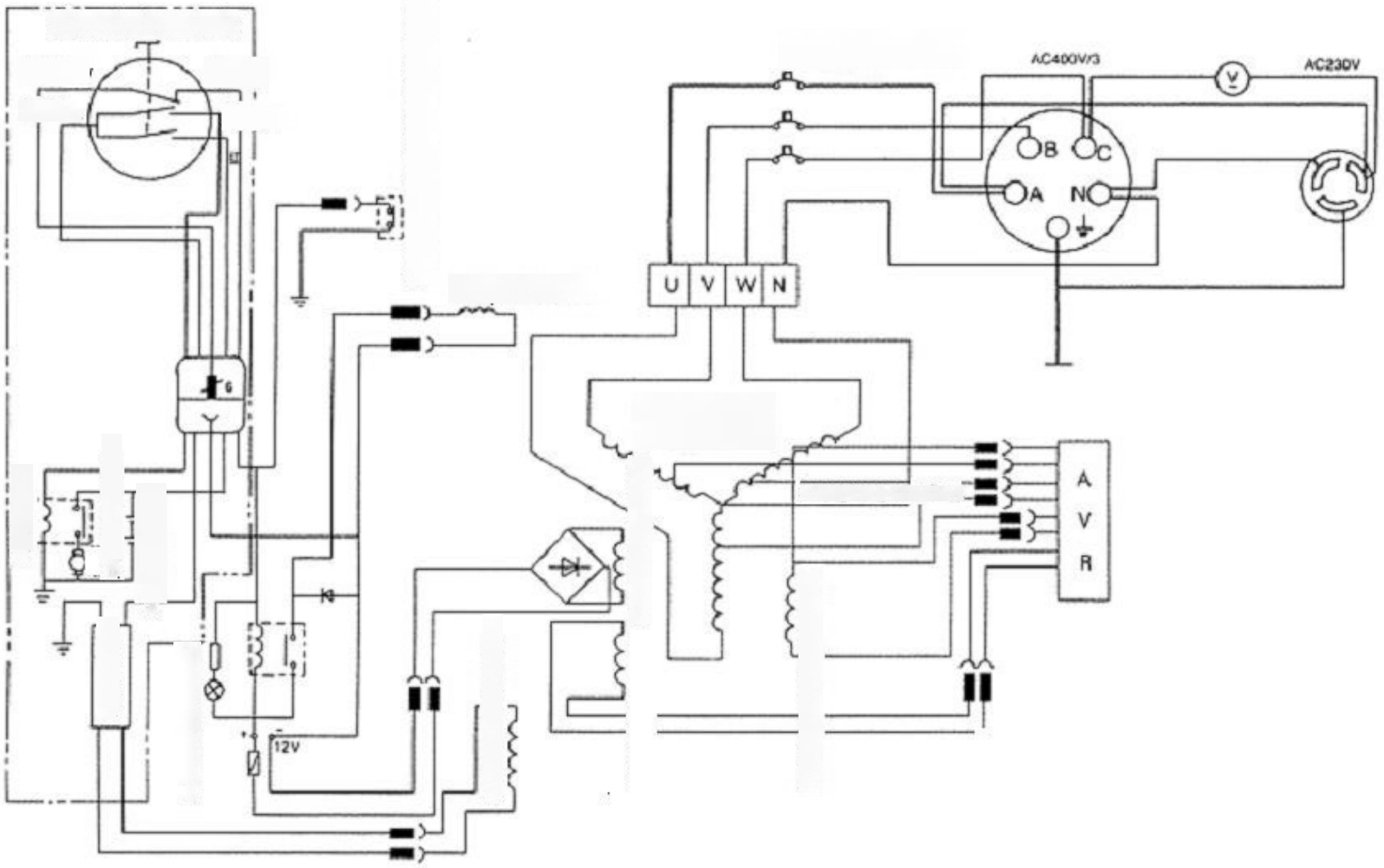
1. , 3 , .
2. , , .
3. 2 3 , .
4. ■ : ( ( ) ).  
■ :
5. 2 ~ 3 ( " " , ) .
6. , ( ) .

**10.**

"Start/ "	"Start/ ".
"Start/ ".	"Start/ ".



( )



( )



).

,

.

,

,

.

.

,

-

,

,

.

.

,

-

.